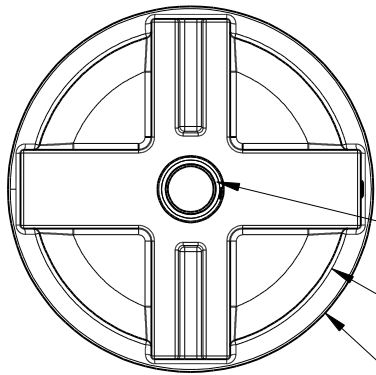


1	2	3	4	5	6
RevNo	Revision note			Date	Signature Checked

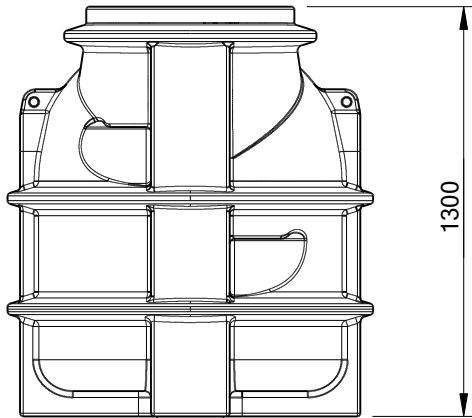
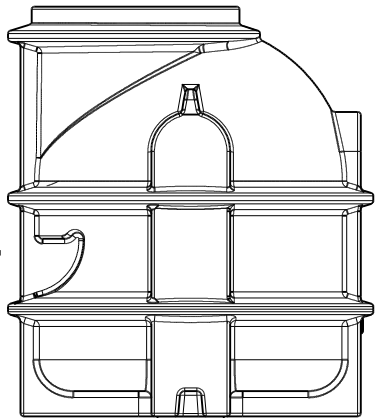
A



Gumová průchodka

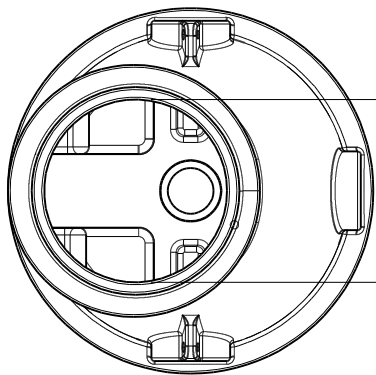
 $\varnothing 1000$
 $\varnothing 1130$

B



1300

C


 $\varnothing 600$

D



Itemref	Quantity	Title/Name, designation, material, dimension etc PE 45 kg		Article No./Reference	
Drawn by Ing. Jan BURIAN		Checked by	Approved by - date	File name	Date 05.11.2021
Studniční šachta 1000/1300			ABPLAST s.r.o., 569 56 Čistá		
			Edition	Sheet 1 OF 1	

1

2

3

4

5

6

A

B

C

D